

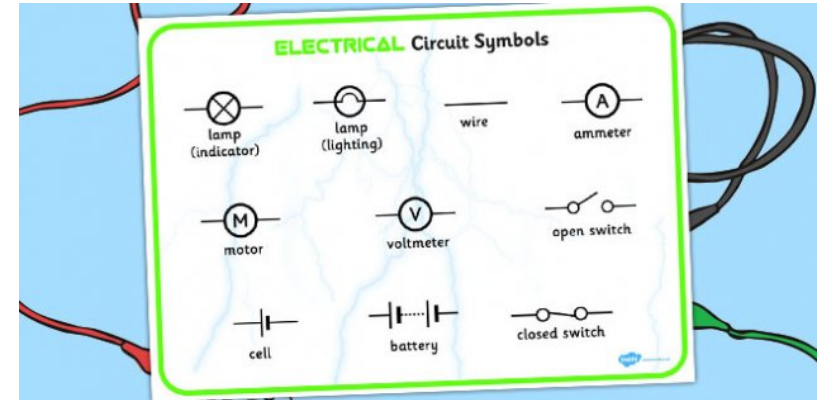
Websites to visit at home:

Children can experiment with electrical circuits and learn some key words.

www.andythelwell.com/blobz/

Websites to visit and develop understand of hazards and potential dangers in the home.

<http://www.switchedonkids.org.uk/electrical-safety-in-your-home>



Key facts to be learnt at home

Fire, police, ambulance, coastguard ring 999.

You could also ring 112, which works in Europe too.

Know what information to give when making an emergency call (caller's name, location, telephone number and details of the incident).

Know symbols used in electricity diagrams (see above)

English

We will be writing genres linked to our class book 'Percy Jackson and the Lightning Thief', as well as biographies on a famous person of the children's choice.

Science

Learn how to make and draw simple electrical circuits. Explore ways in which variations in volume and brightness can be achieved by varying different components.

Mathematics

We will be furthering our knowledge of decimals and percentages. We will then learn more about area, perimeter, volume, 2D and 3D shapes.

Computing

This term we will be programming including using algorithms, controlling more than 1 input and output and testing / improving original algorithms,



Electricity WOW day Friday 8^h January.
(Children to come to school in normal school clothes please).

Key facts to learn are on the back of the sheet!

PE

We will be playing versions of Net, Court and Wall Games developing strategies, rules and tactics considering attack and defence.

DT

To plan, investigate and evaluate work using more complex switches and circuits (Link to science topic)

The children will critique their work throughout the process.

RE

We will continue exploring our questions around Ummah, Ahimsa and Grace.

We will then explore 'What matters most to Christians and Humanists?'

Music

We will create and improvise melodic and rhythmic phrases as part of a group performance and compose by developing ideas within a range of given musical structures. We will also describe, compare and evaluate different types of music using a range of musical vocabulary.

PSHE

We will be looking at Dreams and Goals considering: personal learning goals, goals out of school, emotions in success, motivation and making a difference in the world.

Life Skills learning this term will take place IN SCHOOL covering road safety, electricity, and safety in the home.